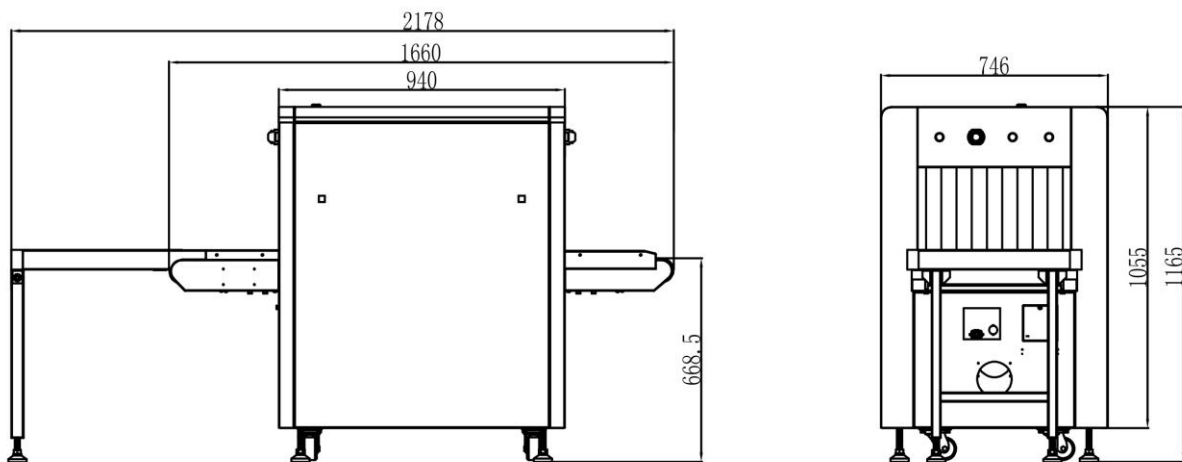


Product highlights ▾

- * Linux operation system
- * ARM cpu
- * Digital signal and processor
- * Continuous hard work for 10000 hours
- * Energy saving design
- * High penetration
- * Good quality images



Dimensional Drawing ▾



Important Sizes:

Product Size: 2178* 746 * 1165mm (L × W × H)

Tunnel Size: 503* 301mm (width × height)

Product Details

General Specifications

Unit weight	288kgs
Unit size	2178(L)*746(W)*1165(H) mm
Tunnel size(mm)	503(L)*301(W)
Conveyor Speed(m/s)	0.2
Conveyor height(mm)	668.5
Conveyor Max Load(kgs)	60
Penetration	Typical 32mm steel, guarantee 30mm steel
Wire Resolution	Typical AWG38, guarantee AWG36
X-Ray dosage each inspection	Typical 3.0 μ Gy/h, guarantee 3.5 μ Gy/h
Boundary Leakage	Typical 1.0 μ Gy/h, guarantee 1.5 μ Gy/h
Power consumption	Max0.5KW
S/N ratio	<60dB
Film Safety	Guarantee ASA/ISO1600 Film

Configuration

X-Ray generator	140KV, oil cooling, from bottom to top
Computer	CPU: Cortex A9
Monitor	Dell or Acer, 17" LED screen, resolution 1280*1024 pixels No
Operation table	
Keyboard	made by Safeway
Operation System	LINUX

Software

Image Enhancement	Color/BW, negative,high/lowpenetration, organic /inorganic Stripping, general enhancement, and pseudo color,etc.
Image Recall	30 images recallable,retrieval.
Image Archive	Up to 500,000 images stored automatically, enable transferring to USB disk, and converting to JPG, BMP and other general formats.
Other Functions	Fault diagnosis, system time setting, detection blind dots delete, x-ray source setting(analoge or digital), alarm setting, images setting, software register, user management, TIP report, data setting(machine working time, x-ray source working time, baggage counter, etc.)
Network Applications	Multiple remote applications available based on Ethernet LAN and windows platform, such as image centralized storage and identify, recheck workstation, and network TIP, etc (Optional).

Operating Environment

Operation temperature/Humidity	5C-40C / 0%-90%(non-condensing)
Storage temperature/Humidity	-40C-70C / 5%-95%(non-condensing)
Operation Power	220VAC(\pm 10%) 50 \pm 3Hz (Optional: 100VAC,110VAC,120VAC,200VAC)

SHENZHEN GENERAL SYSTEMS CO., LIMITED

First Factory: BuildingA, QiFeng Digital Park, BaiNiKeng, PingHu Street, LongGang, Shenzhen, China

Second Factory: Building B, ShengLongXing Industrial Park, LongTeng Road, PingDi Street, LongGang, Shenzhen, China

Tel: +86 -755-83520669 Fax: +86-755-83528876

Mobile&Whatsapp: + 86-13602561056 Skype: richard436300

Email: sales@gsautomatic.com Website: www.gsautomatic.com

